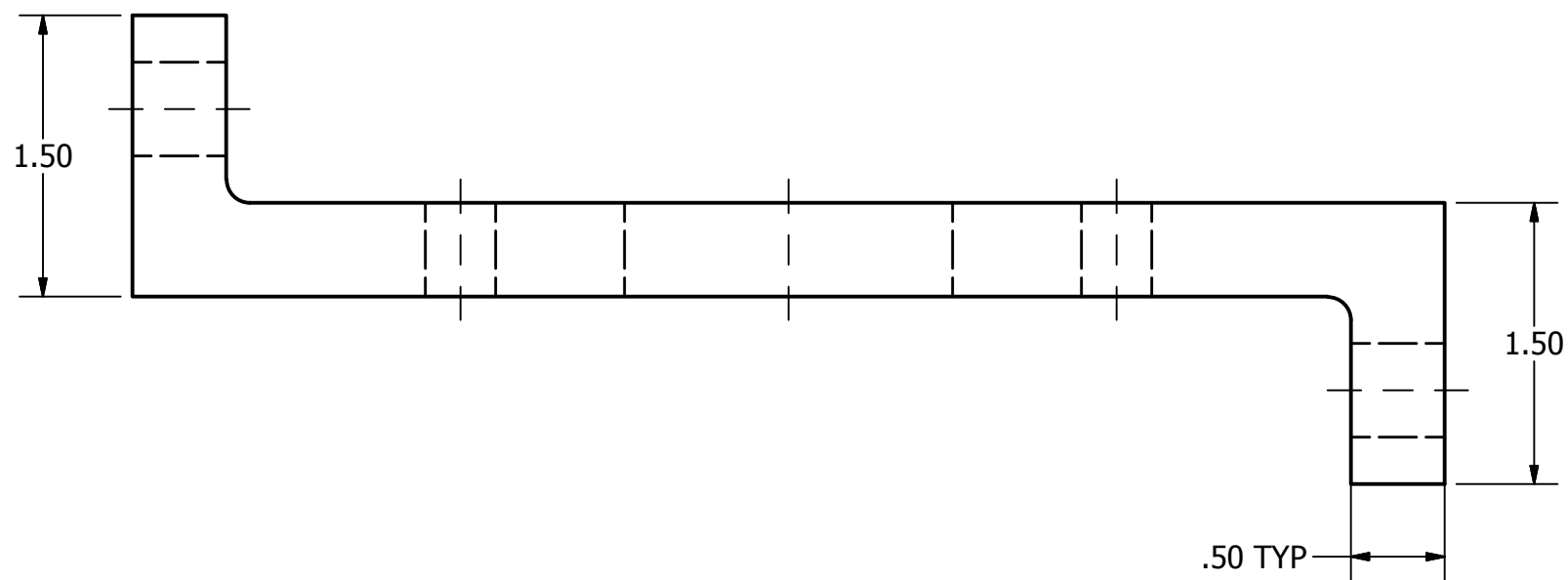
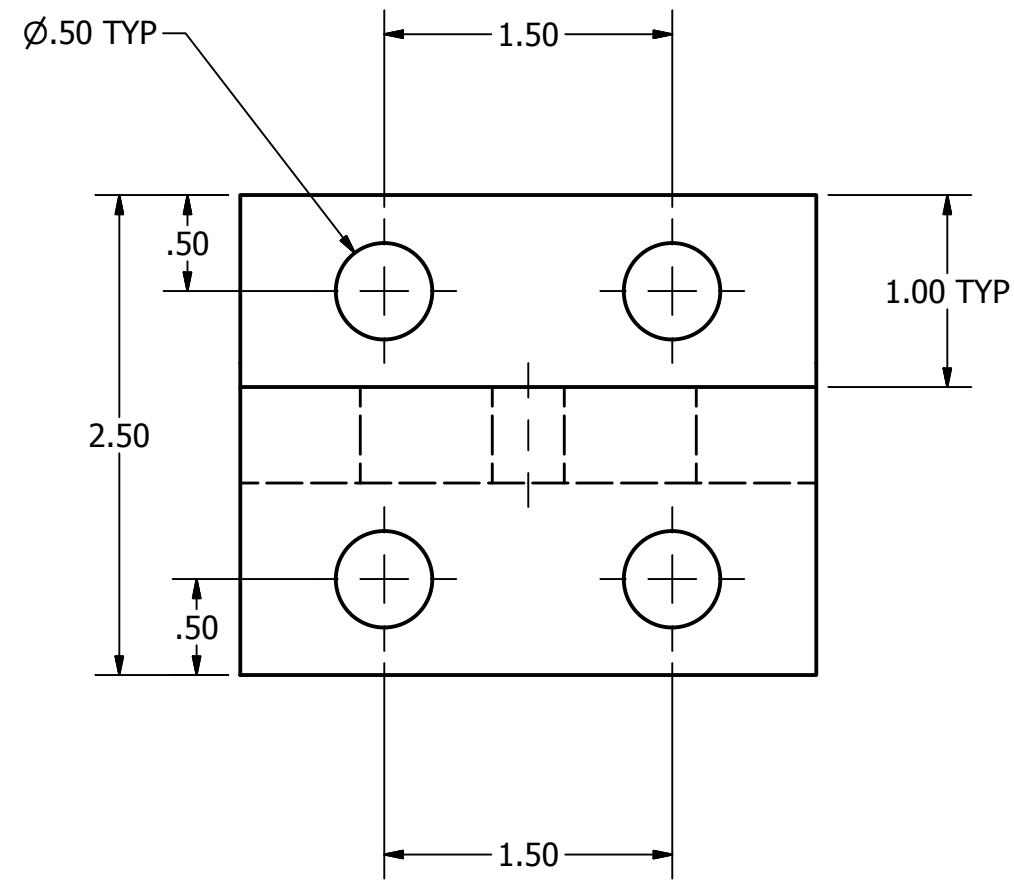
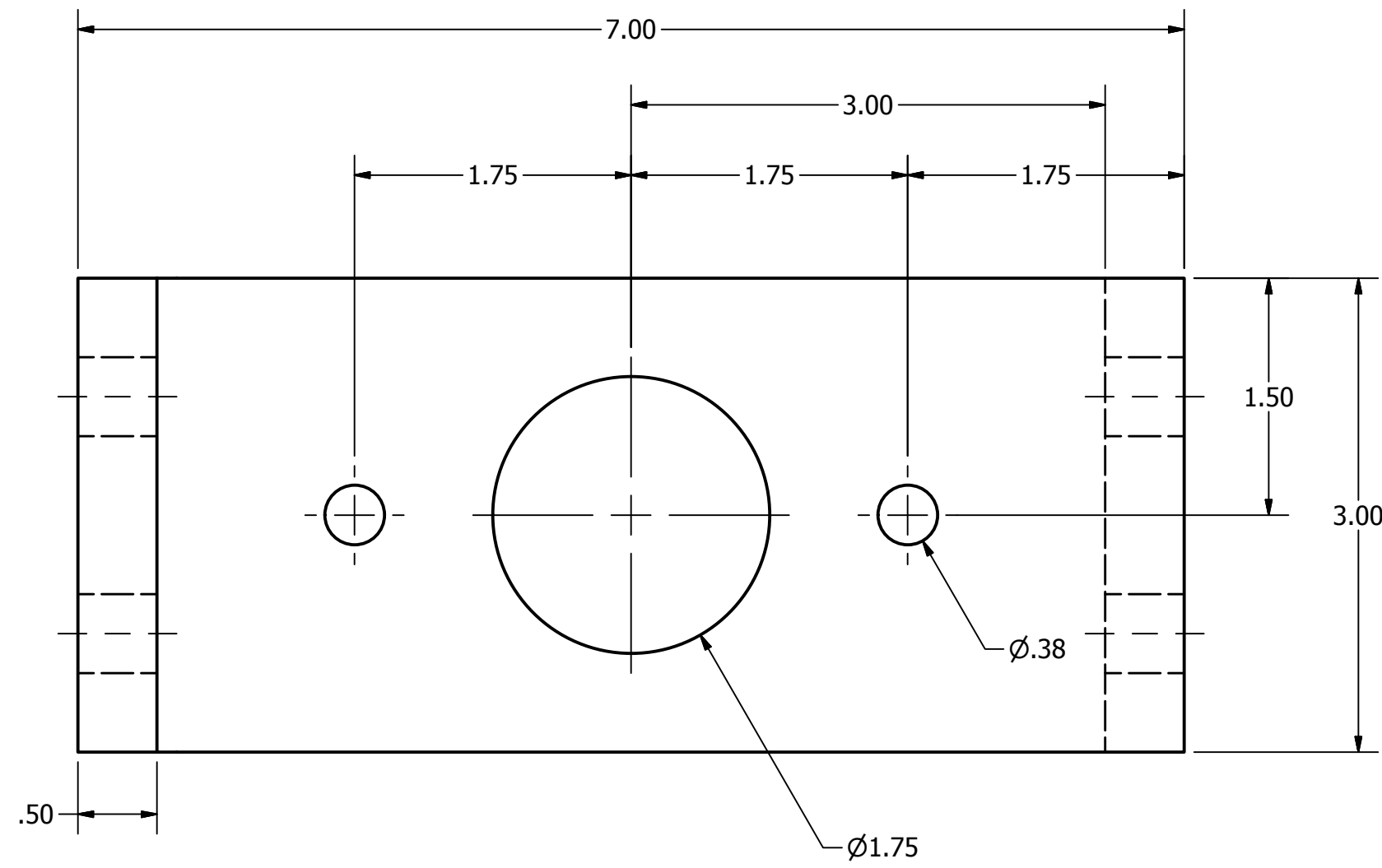
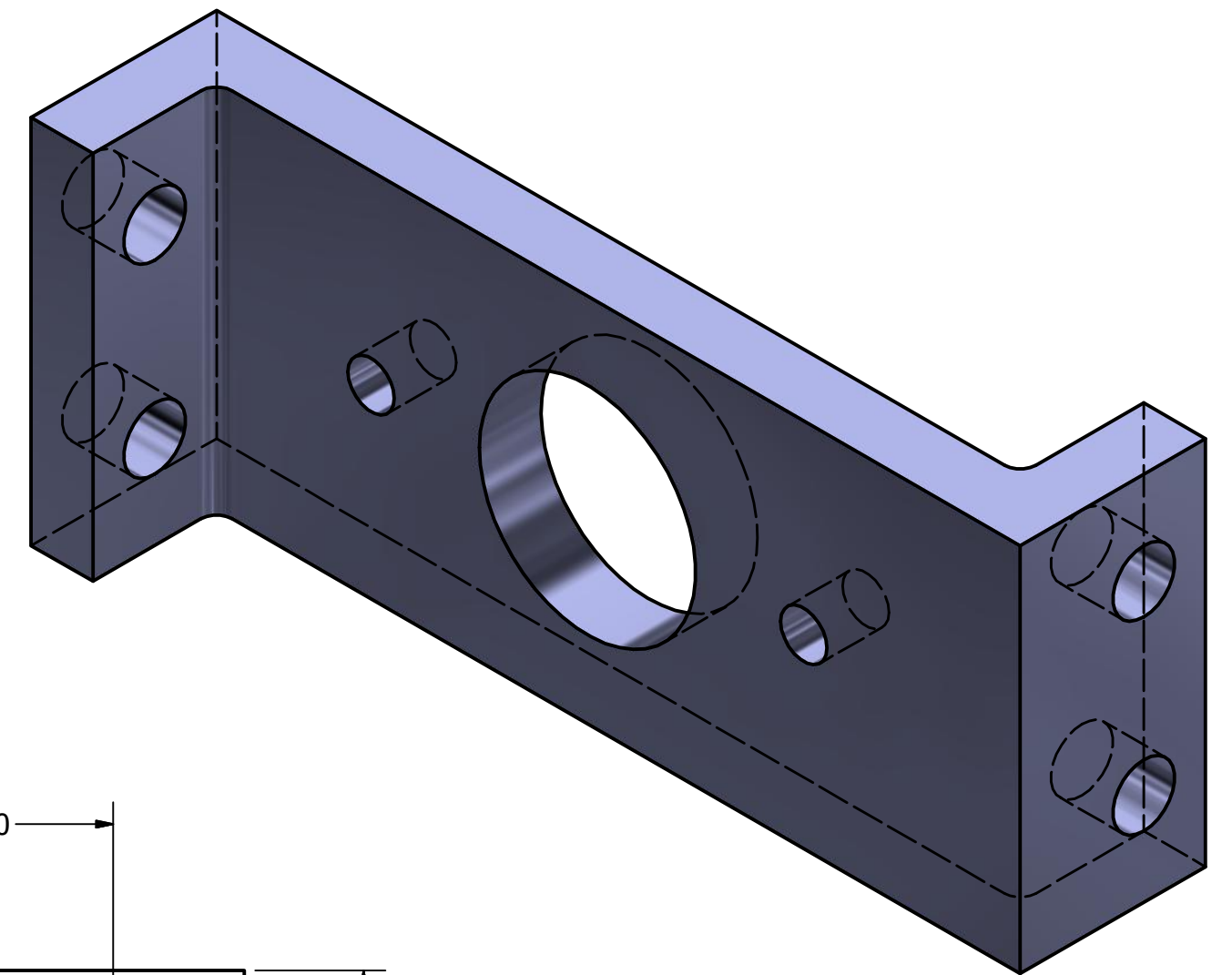


Fillets: R 1/8



DRAWN lyhenry3785	5/15/2015	Intro to Design		
CHECKED Henry Ly				
QA Period 5		Geneva Base Plate		
MFG				
APPROVED		SIZE C	DWG NO 5 Ly Henry Geneva Base	REV
		SCALE	SHEET 1 OF 1	